



**SCHILL**  
connecting professionals

# FT046 SPRING RETURN CABLE REEL

---

Large, robust wall, floor or ceiling mounting spring-retractable reel, IP44 rated.

Suitable for heavy commercial & industrial areas where longer cable lengths may be required.

The FT046 series is the largest of the spring retractable reels manufactured with metal flanges. All metal parts are earth-bonded for added safety, and is corrosion resistant.

Depending on requirements, the desired length of cable is pulled out of the reel, leaving the remaining cable neatly stored on the reel safe from damage and dirt.

When the cable connection is no-longer required, a short pull on the ball-stop and the cable neatly rewinds.



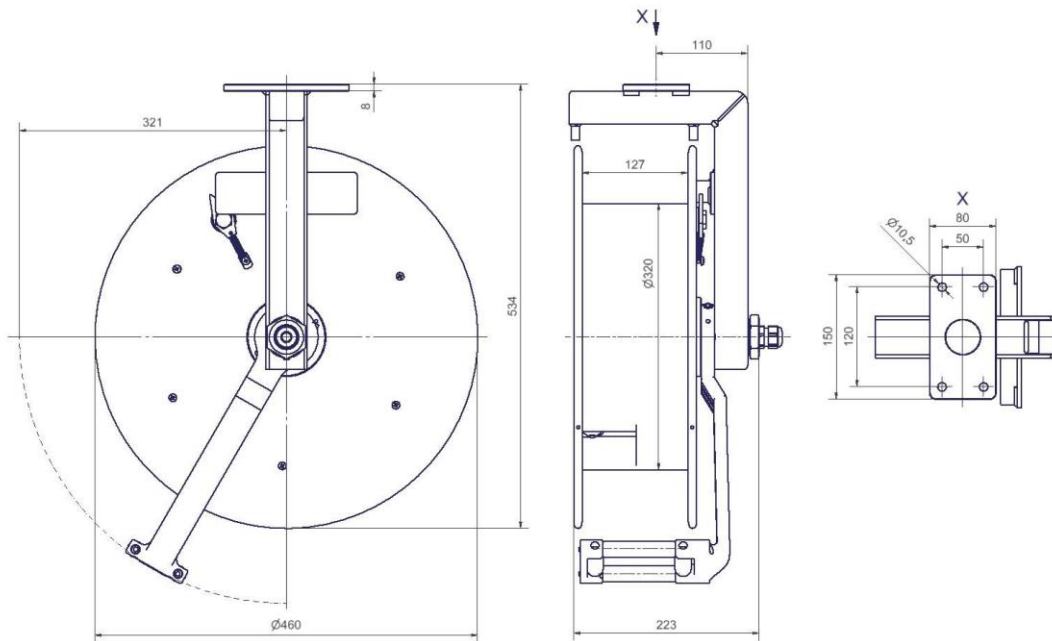
A spring-return cable reel means a safe & organized workplace.

## Features:

- Load capacities up to 32A as standard
- Single & 3-phase 4 & 5-wire options
- Multi-core variants up to x7 cores available
- Up-rated torque variant's for lifting non-standard loads.
- Cable lengths from 20m to 33m – 1.5mm<sup>2</sup> to 4mm<sup>2</sup>, in HO7RN-F cables
- Wall, floor & ceiling brackets
- Manual On/Off cable retraction ratchet
- Adjustable ball-stop
- Heavy-duty high quality brass sliprings / sliver contacts
- Maintenance free ball-bearing axle
- IP44 protection
- Operating temp: 5°C to 60°C

## Dimensions (mm):

A	B	C	D	E	F	G	H	J	K	L	M	N	O	P
460	320	543	150	120	8	247	130	320	50	143	100	80	10	212



## Part numbers & specifications:

Part Number	Cable	Load Wound	Load Unwound	Weight Kg
FT046.0520.25	20m 5x2.5mm <sup>2</sup>	9A	25A	31
FT046.0325.25	25m 3x2.5mm <sup>2</sup>	11A	25A	30
FT046.0333.16	33m 3x1.5mm <sup>2</sup>	8A	16A	29
FT046.0530.16	30m 5x1.5mm <sup>2</sup>	8A	16A	31
FT046.0725.16	25m 7x1.5mm <sup>2</sup>	8A	16A	32
FT046.0430.16	30m 4x1.5mm <sup>2</sup>	8A	16A	30
FT046.0520.32	20m 5x4.0mm <sup>2</sup>	14A	32A	35
WB046	88° wall bracket	-	-	2.8
DB046	Ceiling/Floor bracket	-	-	3.0