



# SCHILL

connecting professionals

## FT150.0304

# SPRING RETURN CABLE REEL

---

Small, lightweight spring-retractable reel suitable for small workshops, laboratories, schools & garages.



Manufactured from sturdy thermoplastic, the reel is electrically insulated & corrosion resistant.

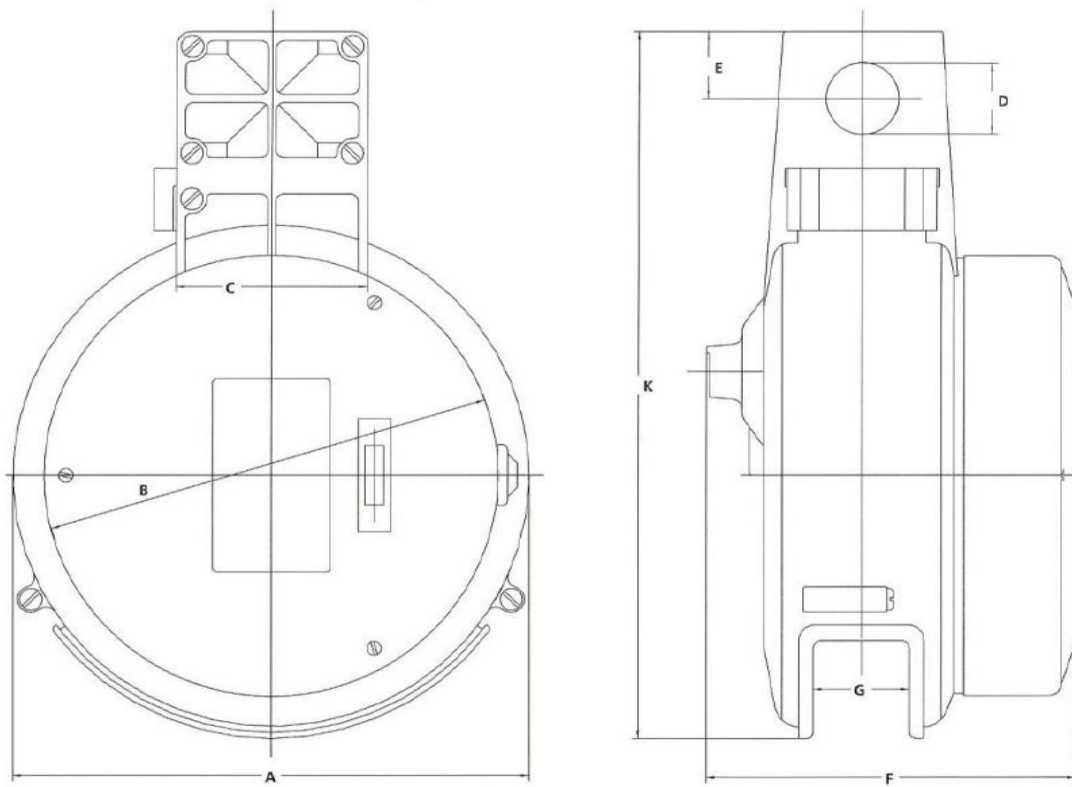
Depending on requirements, the desired length of cable is pulled out of the reel, leaving the remaining cable neatly stored on the reel safe from damage and dirt.

When the cable connection is no-longer required, a short pull on the ball-stop and the cable neatly rewinds.

A spring-return cable reel means a safe & organized workplace.

### Features:

- Max load wound /unwound: 4A / 10A
- Cable length & size: 4m x 3x1.0mm<sup>2</sup> HO5VV-F
- Universal mounting bracket (Wall, floor or ceiling)
- Manual On/Off cable retraction ratchet
- Adjustable ball-stop
- High quality brass sliprings / sliver contacts
- IP20 protection
- Operating temp: 5°C to 60°C
- Weight: 1.3Kg.



**Dimensions (mm)**

A	B	C	D	E	F	G	K
160	140	59	23	21	132	30	225

**Universal Mounting Bracket:**

