



# SCHILL

connecting professionals

## FT350

# SPRING RETURN CABLE REEL

---

Medium sized, robust wall, floor or ceiling mounting spring-retractable reel, suitable for commercial & industrial areas where longer cable lengths may be required.



Manufactured from sturdy thermoplastic, the reel is electrically insulated & corrosion resistant.

Depending on requirements, the desired length of cable is pulled out of the reel, leaving the remaining cable neatly stored on the reel safe from damage and dirt.

When the cable connection is no-longer required, a short pull on the ball-stop and the cable neatly rewinds.

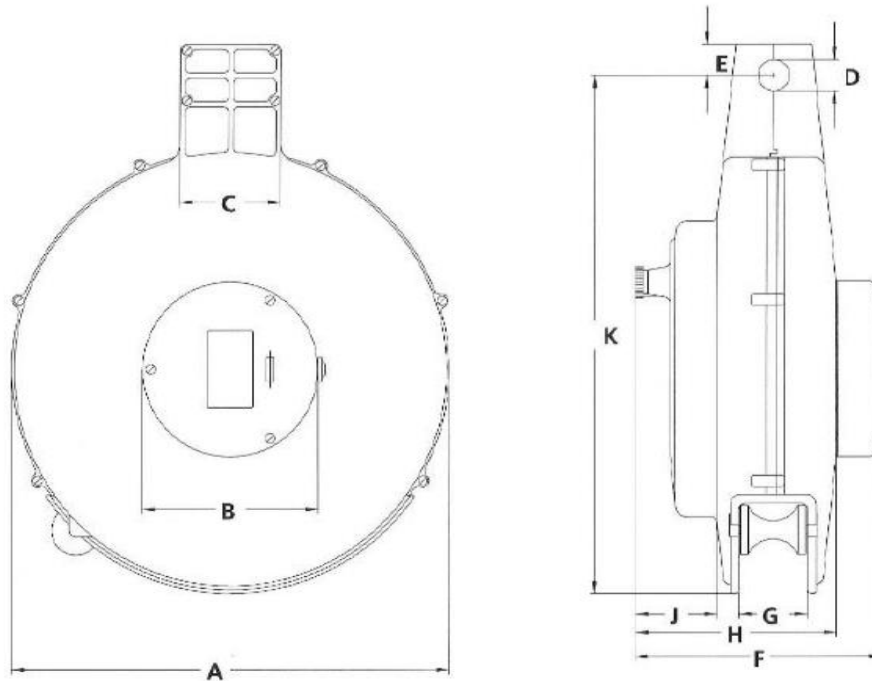
A spring-return cable reel means a safe & organized workplace.

Features:

- Load capacities up to 32A.
- Single & 3-phase 4 & 5-wire variants, including an earth-bonding version.
- Up-rated torque variant's for lifting loads up to 2.4Kg.
- Cable lengths from 10m to 15m – 1.5mm<sup>2</sup> to 4mm<sup>2</sup>, in both HO5VV-F (32A) and HO7RN-F cables.
- Universal mounting bracket (Wall, floor or ceiling)
- Manual On/Off cable retraction ratchet
- Adjustable ball-stop
- High quality brass sliprings / silver contacts
- IP20 protection
- Operating temp: 5°C to 60°C

## Dimensions (mm):

A	B	C	D	E	F	G	H	J	K
347	141	80	26	25	190	54	162	65	434



## Part numbers & specifications:

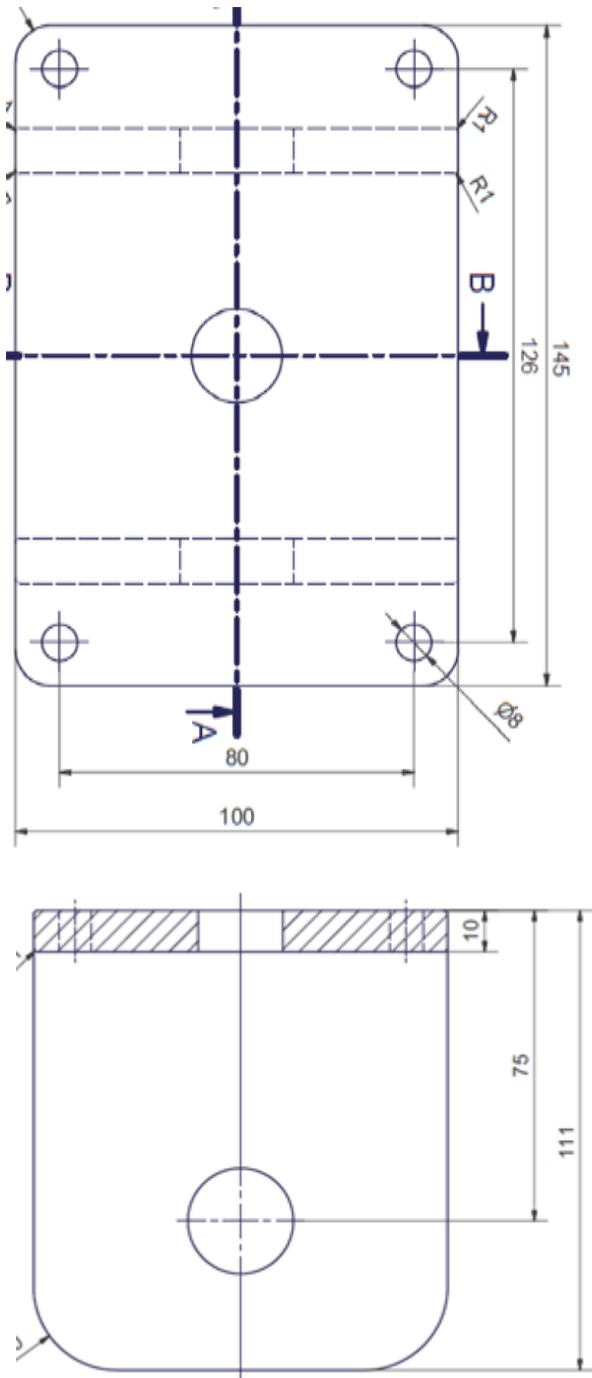
Part Number	Cable	Load Wound	Load Unwound	Weight Kg
FT350.0315	15m 3x1.5mm <sup>2</sup>	8A	10A*	9.0
FT350.0510	10m 5x1.5mm <sup>2</sup>	6A	10A*	10.0
FTE350.0115	15m 1x10mm <sup>2</sup>	Earth-Bond Reel	-	8.0
FT350.0410	10m 4x1.5mm <sup>2</sup>	6A	10A*	9.0
FT350.0310-16	10m 3x2.5mm <sup>2</sup>	10A	16A**	9.0
FT350.0310-32	10m 3x4.0	16A	32A**	10.0
DB350	Ceiling Bracket	-	-	0.7

\*Can be increased to 16A by replacing the fused terminal block with an unfused terminal block.

Please ensure the cable is suitably protected.

\*\* No internal fused block. Please ensure the cable is suitably protected.

### Wall bracket:



### Ceiling/Floor bracket:

